

# Product data sheet

## Characteristics

# HOM235

Mini circuit breaker, Homeline, 35A, 2 pole, 120/240 VAC, 10 kA AIR, standard type, plug in mount

Product availability : Stock - Normally stocked in distribution facility



### Main

Product	Miniature circuit-breaker
Range	Homeline
Current Rating	35 A
Certifications	UL Listed
Voltage Rating	120/240 V AC
Mounting Type	Plug-in
Number of Poles	2P
Short Circuit Current Rating	10 kA
Number of Spaces	2
Circuit Breaker Type	Standard
Ratings	HACR rated
Electrical Connection	Box lugs
Wire Size	AWG 8...AWG 2 aluminium/copper)1

### Complementary

Tightening torque	40.71 lbf.in (4.6 N.m) AWG 8...AWG 2)
Height	3.13 in (79.50 mm)
Width	2 in (50.80 mm)
Depth	2.98 in (75.69 mm)

### Environment

Ambient air temperature for operation	104 °F (40 °C)
---------------------------------------	----------------

\* Price is "List Price" and may be subject to a trade discount – check with your local distributor or retailer for actual price.

## Ordering and shipping details

Category	00046 - HOM/T 15-30A 1P; 15-60A 2P
Discount Schedule	DE3D
GTIN	00785901065494
Nbr. of units in pkg.	5
Package weight(Lbs)	0.7 lb(US) (0.32 kg)
Returnability	Yes
Country of origin	MX

## Packing Units

Unit Type of Package 1	PCE
Package 1 Height	2.00 in (5.08 cm)
Package 1 width	3.00 in (7.62 cm)
Package 1 Length	3.10 in (7.874 cm)
Unit Type of Package 2	BB1
Number of Units in Package 2	5
Package 2 Weight	3.61 lb(US) (1.637 kg)
Package 2 Height	3.20 in (8.128 cm)
Package 2 width	2.60 in (6.604 cm)
Package 2 Length	10.20 in (25.908 cm)
Unit Type of Package 3	CAR
Number of Units in Package 3	50
Package 3 Weight	36.50 lb(US) (16.556 kg)
Package 3 Height	10.50 in (26.67 cm)
Package 3 width	7.10 in (18.034 cm)
Package 3 Length	16.70 in (42.418 cm)

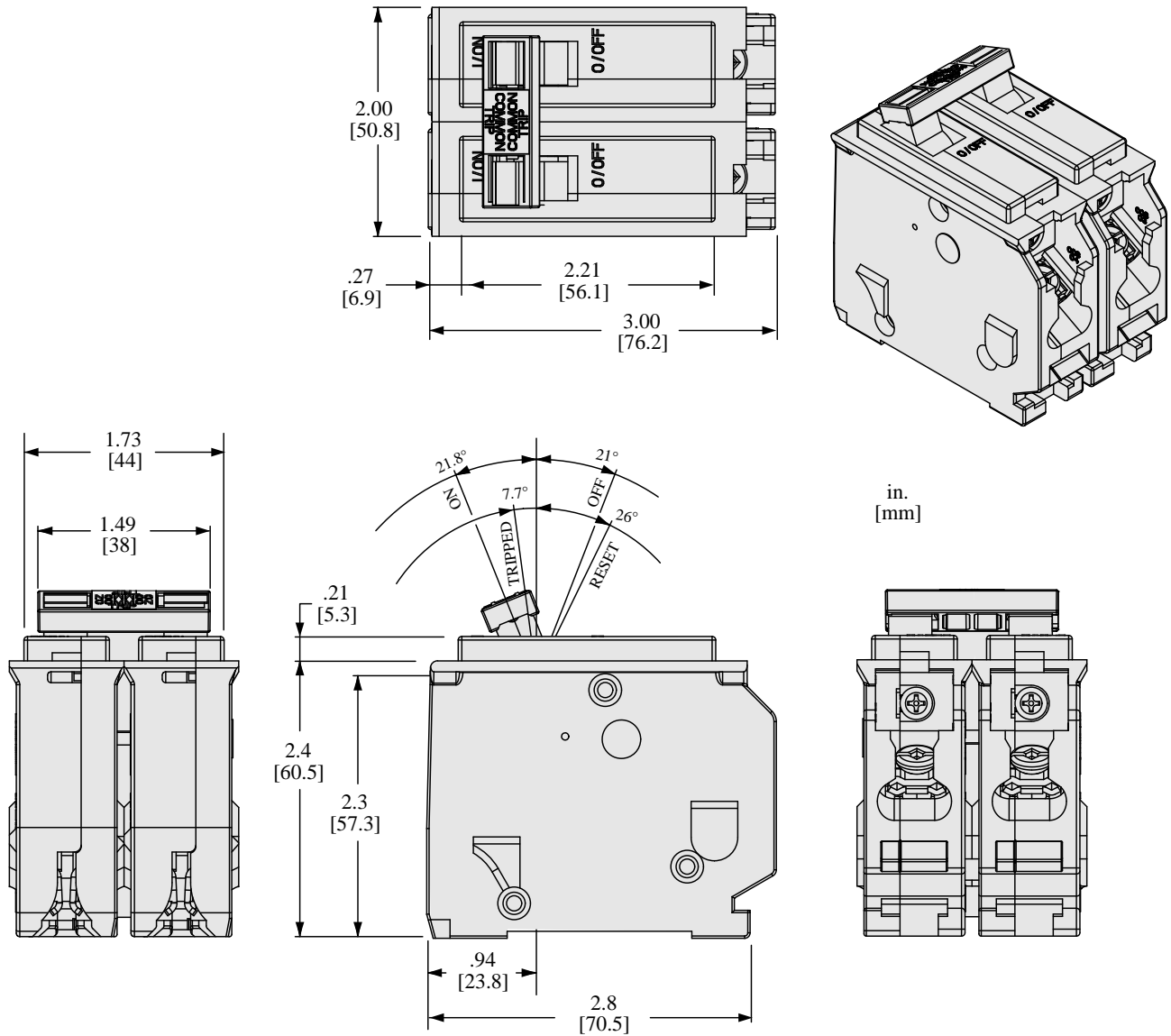
## Offer Sustainability

Sustainable offer status	Green Premium product
REACH Regulation	<a href="#">REACH Declaration</a>
REACH free of SVHC	Yes
EU RoHS Directive	Compliant <a href="#">EU RoHS Declaration</a>
Toxic heavy metal free	Yes
Mercury free	Yes
RoHS exemption information	<a href="#">Yes</a>
China RoHS Regulation	<a href="#">China RoHS declaration</a> Pro-active China RoHS declaration (out of China RoHS legal scope)
Environmental Disclosure	<a href="#">Product Environmental Profile</a>

## Contractual warranty

Warranty	Lifetime
----------	----------

Dimensions



All dimensions are approximate. Also refer to technical drawings and documentation.